

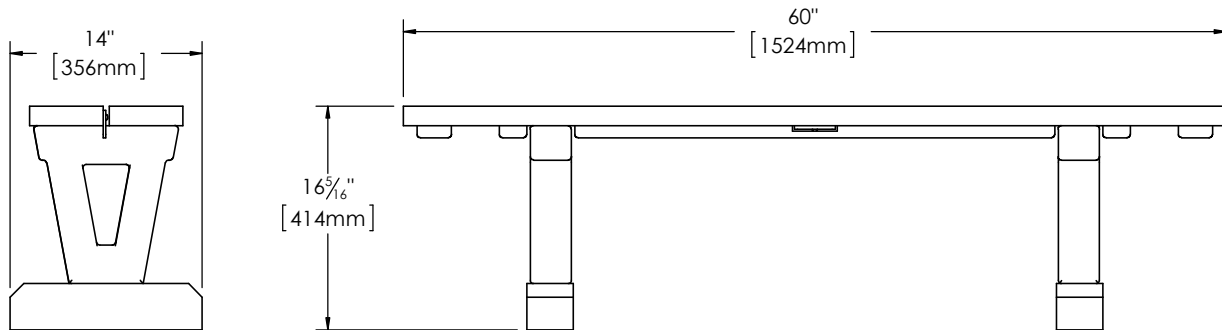
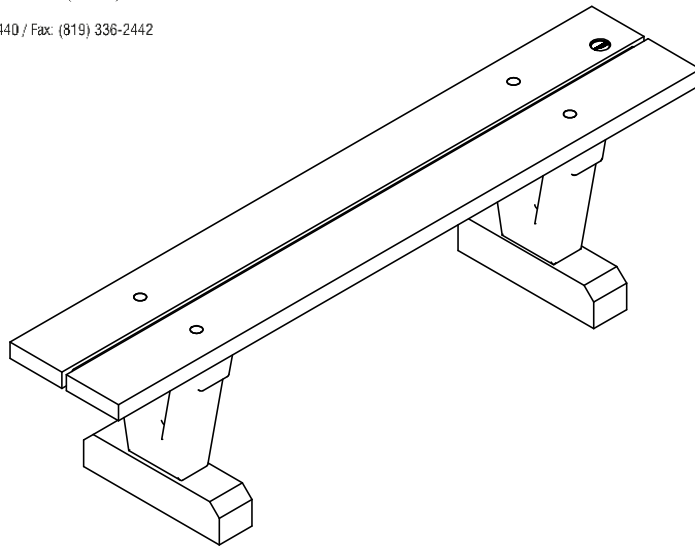


Produits  
**REPLAST**  
1350, Chemin Quatre-Saisons  
Notre-Dame-du-Bon-Conseil (Québec)  
Canada J0C 1A0  
Tel.: (819) 336-2440 / Fax: (819) 336-2442

## Parc Series - 60" Straight Bench

#18

Rév.: December 10th, 2014



### Features:

- The bench slats are made of **ULTRAPLAST™** recycled plastic 2" x 6" (37mm x 137mm).
- The legs are made of black **ULTRAPLAST™** recycled plastic. Screws are inserted in the plastic during molding to fix backrest and seat slats.
- Reinforcement are made of flat steel, 2" x 3/16" (51mm x 5mm) and flat steel bar 3/4" x 1/4" (76mm x 6.5mm) coated with our black InfiniGuard Professional anti-corrosion system.
- Hidden hardware.
- Shipped ready to be assembled.

### Standard installation details:

- Surface mounted.

### Options:

- Stainless steel standard anchor.
- Stainless steel antiteft anchor.
- Duckbill anchor.
- Factory assembled.
- Armrest.
- Customized engrave.



Weight 30 Lb.