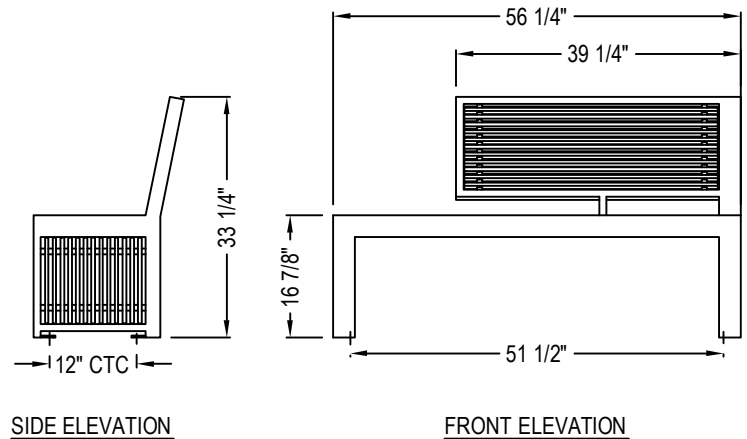
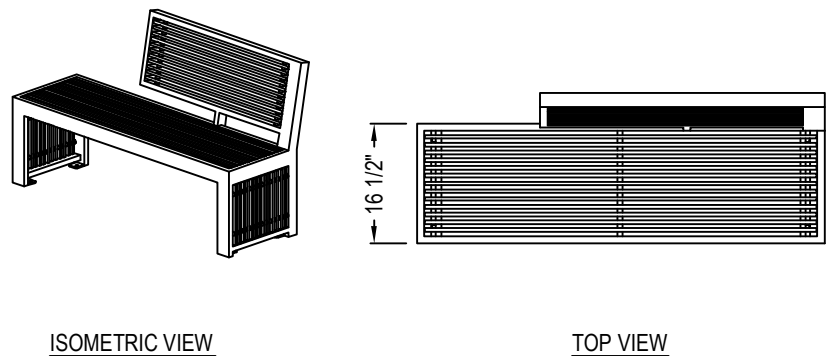


- SELECT DESIRED TEXTURED POWDER COATED COLOR:
- BOSTWICK BROWN     OIL RUB BRONZE  
 CARDINAL BLACK     NON-TEXTURED PEWTER  
 CARDINAL GREY     BENGAL SILVER  
 COLD BROWN     BLACK SUPER TEXTURE  
 LAKESIDE SAND

- SELECT DESIRED CUSTOMIZED SOLUTIONS:
- CUSTOM POWDER COATING (SETUP CHARGES MAY APPLY)  
 INST-1 STAINLESS STEEL BOLT DOWN KIT  
 CUSTOM LENGTH FROM 2' TO 6'



**SPECIFICATIONS :**  
 -DURABLE POWDER COATED ALUMINUM FRAME  
 -INNOVATIVE NO WELD DESIGN  
 -EASY ON SITE COMPONENT REPLACEMENT  
**TOTAL HEIGHT:** 33.5" / 851 MM  
**SEAT HEIGHT:** 17.5" / 445 MM  
**SEAT DEPTH:** 16.5" / 419 MM  
**LENGTH:** 56.5" / 1435 MM  
**WEIGHT:** 58 LBS / 26 KG  
**RECYCLED CONTENT:** UP TO 10% RECYCLED CONTENT BY WEIGHT  
 100% RECYCLABLE



- NOTES:**
1. INSTALLATION TO BE COMPLETED IN ACCORDANCE WITH MANUFACTURER'S SPECIFICATIONS.
  2. DO NOT SCALE DRAWING.
  3. THIS DRAWING IS INTENDED FOR USE BY ARCHITECTS, ENGINEERS, CONTRACTORS, CONSULTANTS AND DESIGN PROFESSIONALS FOR PLANNING PURPOSES ONLY. THIS DRAWING MAY NOT BE USED FOR CONSTRUCTION.
  4. ALL INFORMATION CONTAINED HEREIN WAS CURRENT AT THE TIME OF DEVELOPMENT BUT MUST BE REVIEWED AND APPROVED BY THE PRODUCT MANUFACTURER TO BE CONSIDERED ACCURATE.
  5. CONTRACTOR'S NOTE: FOR PRODUCT AND COMPANY INFORMATION VISIT [www.CADdetails.com/info](http://www.CADdetails.com/info) AND ENTER REFERENCE NUMBER 4289-081.